








Steel Window Fittings' range of door handles are crafted with external and internal doors in mind.

Four versatile styles of lever are available in a lever-lever configuration for multipoint locking capability.

All door handles are engineered with 'no drooping' technology to ensure a comfortable grip and like-new operation.

B850 Door Handles		Pages 4 - 11
B860 Door Handles		Pages 12 - 19
B870 Door Handles		Pages 20 - 27
1040 Door Handles		Pages 28 - 33
Escutcheons and Dummy Spindles		Pages 34 - 39



The logo consists of the lowercase letters 'swf' in a bold, sans-serif font, enclosed within a light green square border that is slightly offset from the corners.

swf

STEEL WINDOW FITTINGS

850 Door Handles

The 850 door handle has a gentle curve with a sharp turn near the backplate for a comfortable grip and pleasing design.

Choose from our seven signature finishes to add the finishing touch to your frames.

Matching escutcheons can be found on page 34.



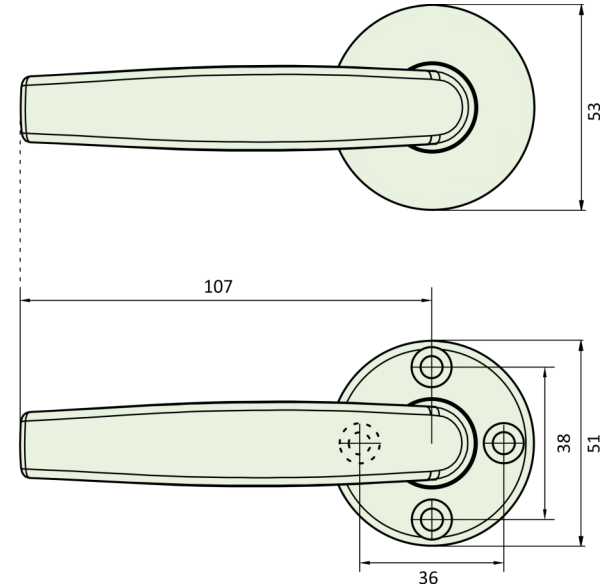
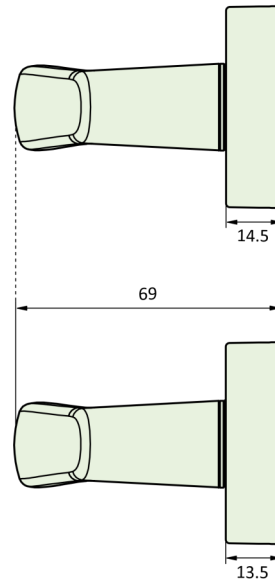




PRODUCT FEATURES & TECHNICAL INFORMATION

- An elegant 'Lever-Lever' door handle with finish matching backplate covers that conceal the fixing screws and backplate.
- 4 independent springs ensures correct horizontal position of lever and a 8mm spindle secured with a grub screw clamps both handles together securely.
- B851ROSE Euro Cylinder or B852ROSE Key escutcheons available enabling a wide range of applications to include multipoint, traditional external locks & internal latches.
- Also available on a Oblong plate as B850.
- Available in several finishes or matching RAL finish on request. M5 fixing holes.
- Taylors Spindle available to fix the handle in a horizontal or vertical position.
- Complimentary window furniture available for suited look.

B850ROSE Lever Door Handle



B850ROSE

Dimensions



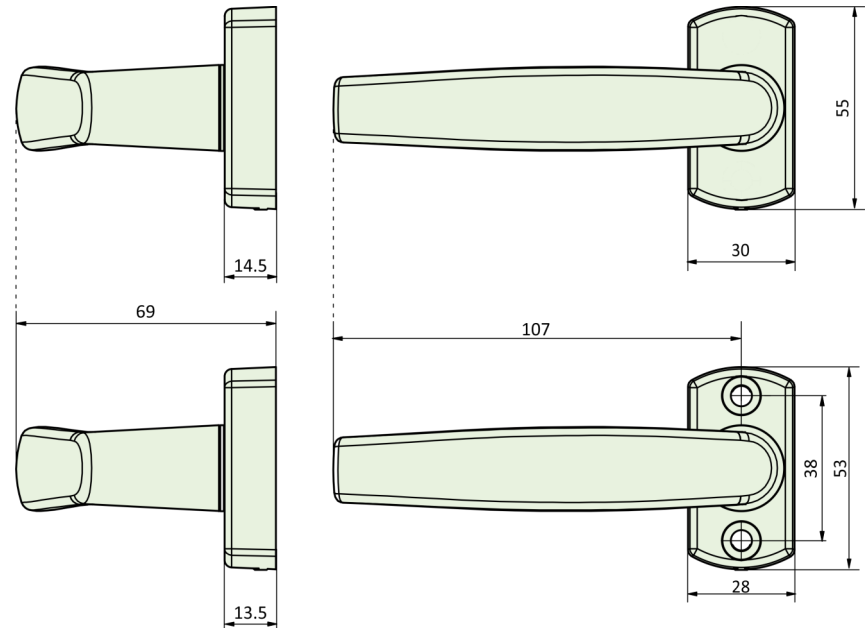
PRODUCT FEATURES & TECHNICAL INFORMATION

- An elegant 'Lever-Lever' door handle with finish matching backplate covers that conceal the fixing screws and backplate.
- 4 independent springs ensures correct horizontal position of lever and a 8mm spindle secured with a grub screw clamps both handles together securely.
- B851 Euro Cylinder or B852 Key escutcheons available enabling a wide range of applications to include multipoint, traditional external locks & internal latches.
- Also available on a round plate as B850ROSE.
- Available in several finishes or matching RAL finish on request. M5 fixing holes.
- Taylors Spindle available to fix the handle in a horizontal or vertical position.
- Complimentary window furniture available for suited look.

B850 Lever Door Handle



B850 Oblong



Dimensions



STEEL WINDOW FITTINGS

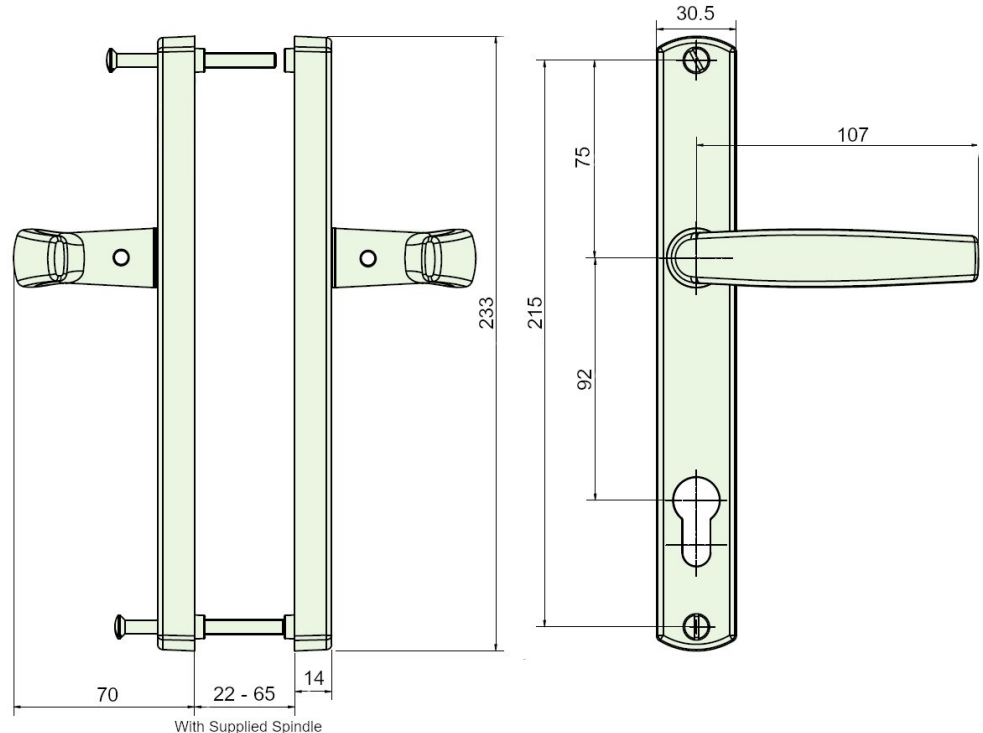
B850LONG Lever Door Handle



B850LONGBL

PRODUCT FEATURES & TECHNICAL INFORMATION

- An elegant 'Lever-Lever' door handle with 92mm centre.
- The long handle is available in 3 different lever styles (850, 860 and 870).
- 4 independent springs ensures correct horizontal position of lever and a 8mm spindle secured with a grub screw clamps both handles together securely.
- Available with blank or cylinder combination of face plate.
- Taylors Spindle available to fix the handle in a horizontal or vertical position.
- Bolt through fixings for security.
- Complimentary window furniture available for suited look.
- Available in several finishes or matching RAL finishes on request



DIMENSIONS

The logo consists of the lowercase letters 'swf' in a bold, sans-serif font, enclosed within a light green square frame that is slightly tilted.

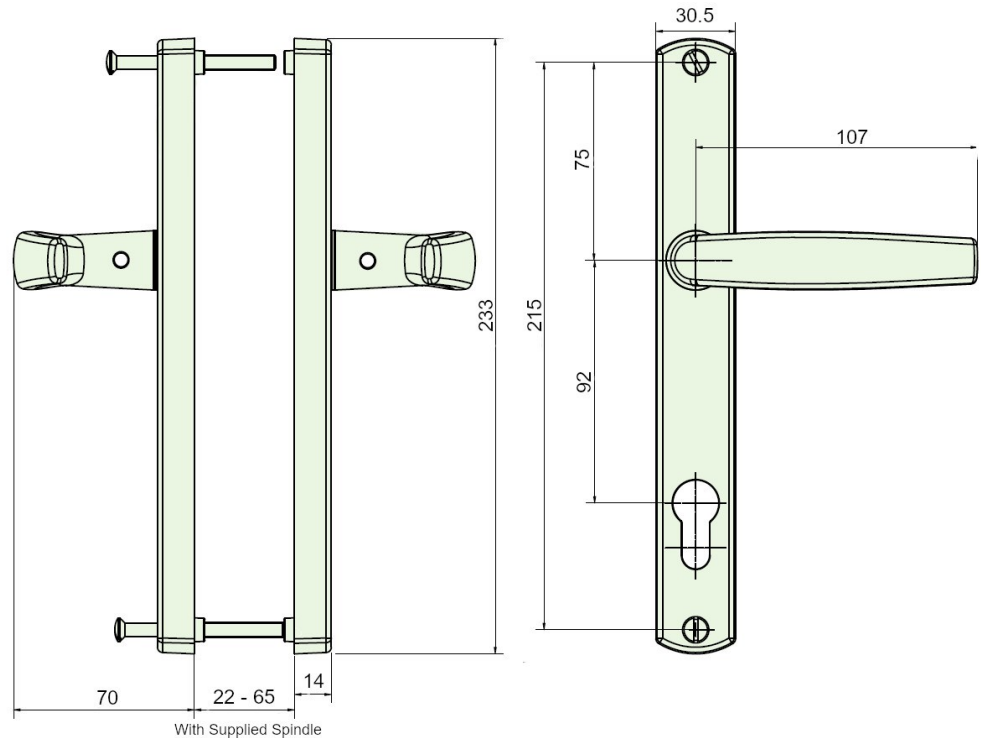
STEEL WINDOW FITTINGS



B850LONGCYBL

PRODUCT FEATURES & TECHNICAL INFORMATION

- An elegant 'Lever-Lever' door handle with 92mm centre.
- The long handle is available in 3 different lever styles (850, 860 and 870).
- 4 independent springs ensures correct horizontal position of lever and a 8mm spindle secured with a grub screw clamps both handles together securely.
- Available with blank or cylinder combination of face plate.
- Taylors Spindle available to fix the handle in a horizontal or vertical position.
- Bolt through fixings for security.
- Complimentary window furniture available for suited look.
- Available in several finishes or matching RAL finishes on request





STEEL WINDOW FITTINGS

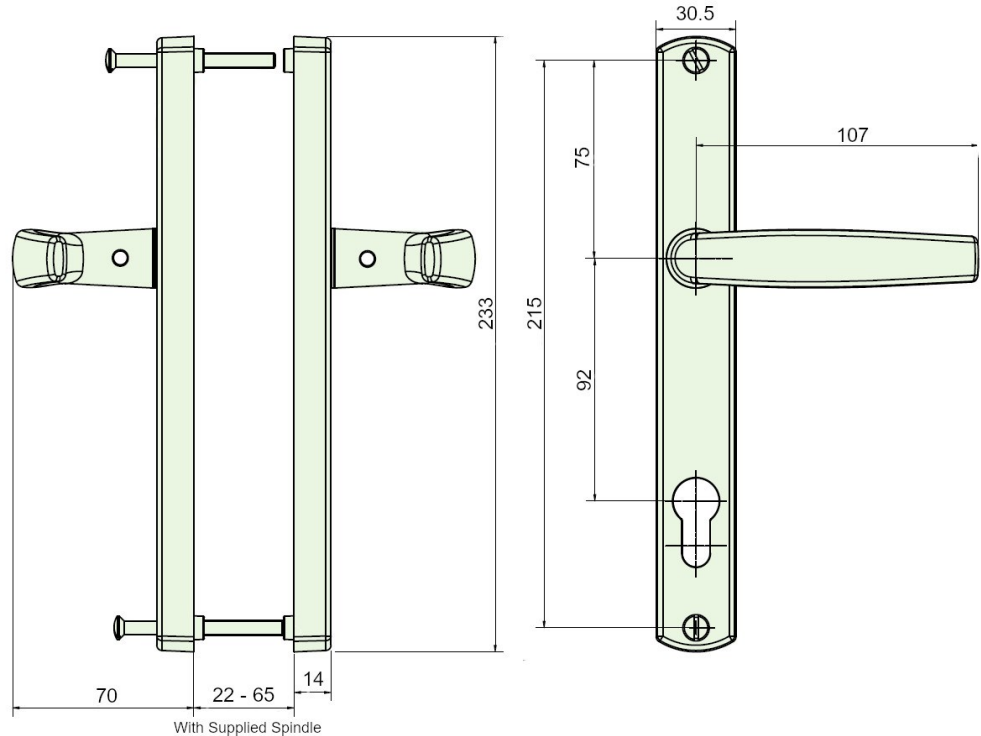
B850LONG Lever Door Handle



B850LONGCY

PRODUCT FEATURES & TECHNICAL INFORMATION

- An elegant 'Lever-Lever' door handle with 92mm centre.
- The long handle is available in 3 different lever styles (850, 860 and 870).
- 4 independent springs ensures correct horizontal position of lever and a 8mm spindle secured with a grub screw clamps both handles together securely.
- Available with blank or cylinder combination of face plate.
- Taylors Spindle available to fix the handle in a horizontal or vertical position.
- Bolt through fixings for security.
- Complimentary window furniture available for suited look.
- Available in several finishes or matching RAL finishes on request





STEEL WINDOW FITTINGS

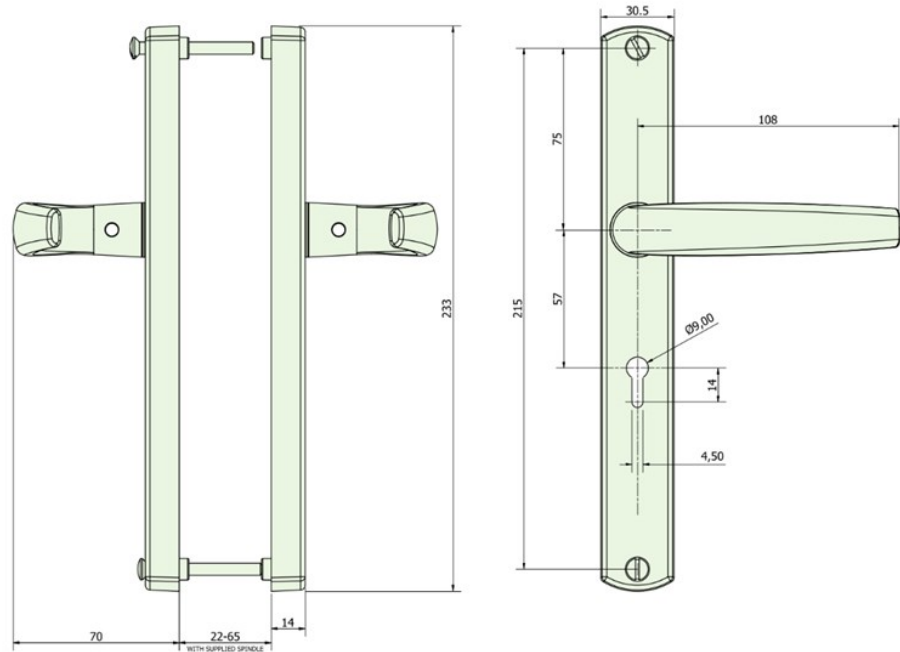
B850LONGML Lever Door Handle



B850LONGML

PRODUCT FEATURES & TECHNICAL INFORMATION

- An elegant 'Lever-Lever' door handle with 57mm centre.
- The long handle is available in 3 different lever styles (850, 860 and 870).
- 4 independent springs ensures correct horizontal position of lever and a 8mm spindle secured with a grub screw clamps both handles together firmly.
- Complete with a mortice keyhole configuration
- Taylors Spindle available to fix the handle in a horizontal or vertical position.
- Bolt through fixings for security.
- Complimentary window furniture available for suited look.
- Available in several finishes or matching RAL finishes on request



Dimensions

The logo consists of the lowercase letters 'swf' in a bold, sans-serif font, enclosed within a light green square border that is slightly offset from the top-left corner.

swf

STEEL WINDOW FITTINGS

Three door handles are shown against a white background. On the left is a brushed stainless steel handle. In the center is a brass handle with a matching circular escutcheon. On the right is a dark bronze or black handle with a keyhole cutout at the bottom.

860 Door Handles

Smooth across the whole lever, the 860 is an easy to use handle.

This style of lever is adaptable in appearance—suitable for contemporary and traditional styled buildings or homes.

Find Matching Escutcheons on page 34.





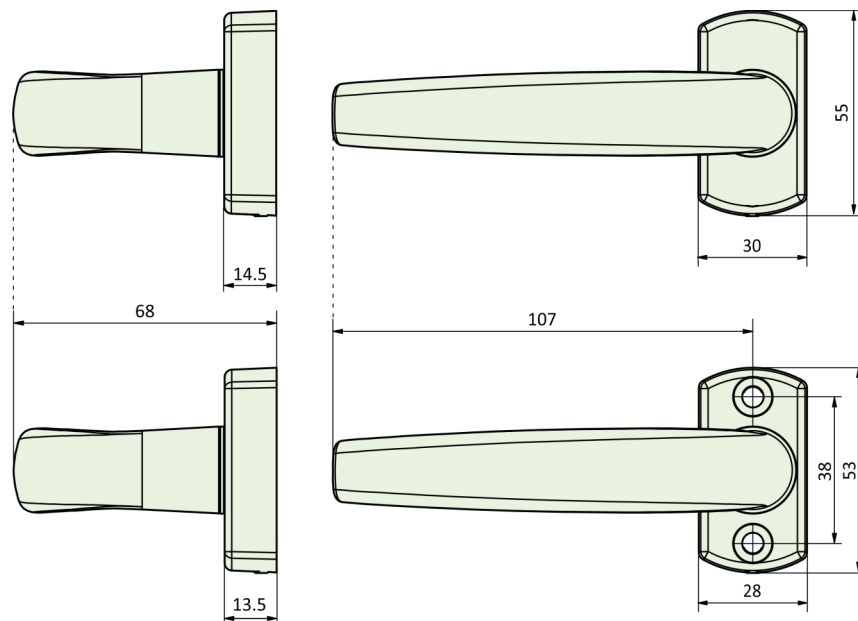
B860 Lever Door Handle

PRODUCT FEATURES & TECHNICAL INFORMATION

- An elegant 'Lever-Lever' door handle with finish matching backplate covers that conceal the fixing screws and backplate.
- 4 independent springs ensures correct horizontal position of lever and a 8mm spindle secured with a grub screw clamps both handles together securely.
- B851 Euro Cylinder or B852 Key escutcheons available enabling a wide range of applications to include multipoint, traditional external locks & internal latches.
- Also available on a round plate as B860ROSE.
- Available in several finishes or matching RAL finish on request. M5 fixing holes.
- Taylors Spindle available to fix the handle in a horizontal or vertical position.
- Complimentary window furniture available for suited look.



B860 Oblong



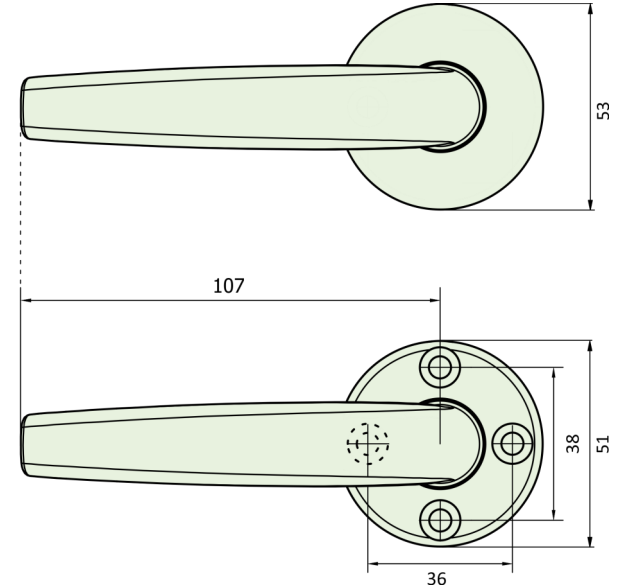
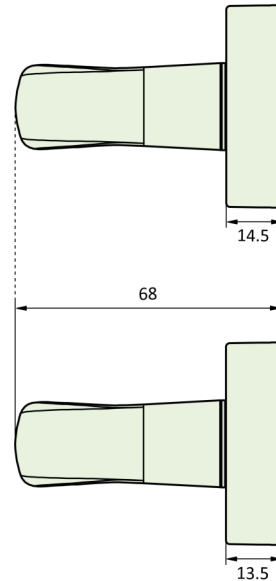
Dimensions



B860ROSE Lever Door Handle

PRODUCT FEATURES & TECHNICAL INFORMATION

- An elegant 'Lever-Lever' door handle with finish matching backplate covers that conceal the fixing screws and backplate.
- 4 independent springs ensures correct horizontal position of lever and a 8mm spindle secured with a grub screw clamps both handles together securely.
- B851ROSE Euro Cylinder or B852ROSE Key escutcheons available enabling a wide range of applications to include multipoint, traditional external locks & internal latches.
- Also available on a Oblong plate as B860.
- Available in several finishes or matching RAL finish on request. M5 fixing holes.
- Taylors Spindle available to fix the handle in a horizontal or vertical position.
- Complimentary window furniture available for suited look.



B860ROSE

Dimensions

The logo consists of the lowercase letters 'swf' in a bold, sans-serif font, enclosed within a light green square frame that is slightly tilted.

STEEL WINDOW FITTINGS

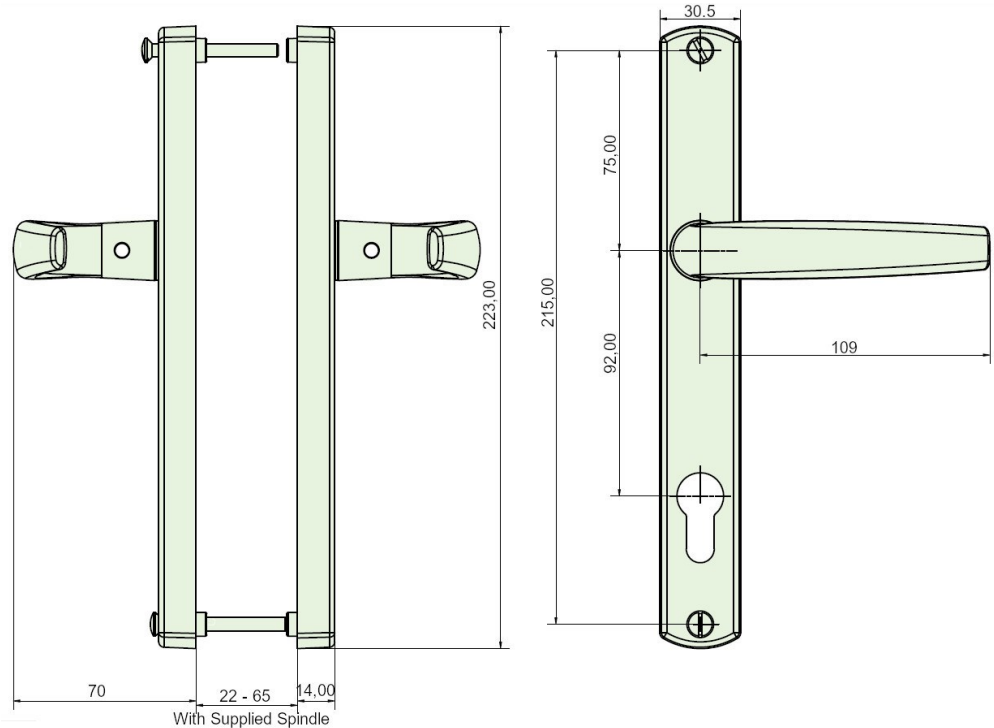
B860LONG Lever Door Handle



B860LONGBL

PRODUCT FEATURES & TECHNICAL INFORMATION

- An elegant 'Lever-Lever' door handle with 92mm centre.
- The long handle is available in 3 different lever styles (850, 860 and 870).
- 4 independent springs ensures correct horizontal position of lever and a 8mm spindle secured with a grub screw clamps both handles together securely.
- Available with blank or cylinder combination of face plate.
- Taylors Spindle available to fix the handle in a horizontal or vertical position.
- Bolt through fixings for security.
- Complimentary window furniture available for suited look.
- Available in several finishes or matching RAL finishes on request



Dimensions

The logo consists of the lowercase letters 'swf' in a bold, sans-serif font, enclosed within a light green square frame that is slightly tilted.

STEEL WINDOW FITTINGS

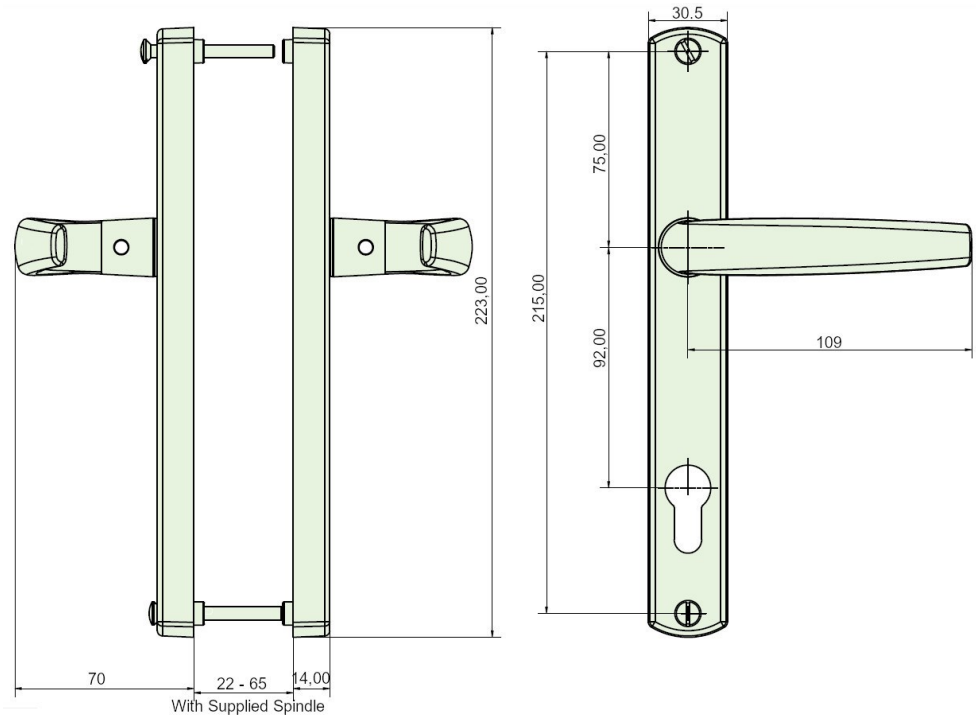
B860LONG Lever Door Handle



B860LONGCYBL

PRODUCT FEATURES & TECHNICAL INFORMATION

- An elegant 'Lever-Lever' door handle with 92mm centre.
- The long handle is available in 3 different lever styles (850, 860 and 870).
- 4 independent springs ensures correct horizontal position of lever and a 8mm spindle secured with a grub screw clamps both handles together securely.
- Available with blank or cylinder combination of face plate.
- Taylors Spindle available to fix the handle in a horizontal or vertical position.
- Bolt through fixings for security.
- Complimentary window furniture available for suited look.
- Available in several finishes or matching RAL finishes on request



Dimensions



STEEL WINDOW FITTINGS

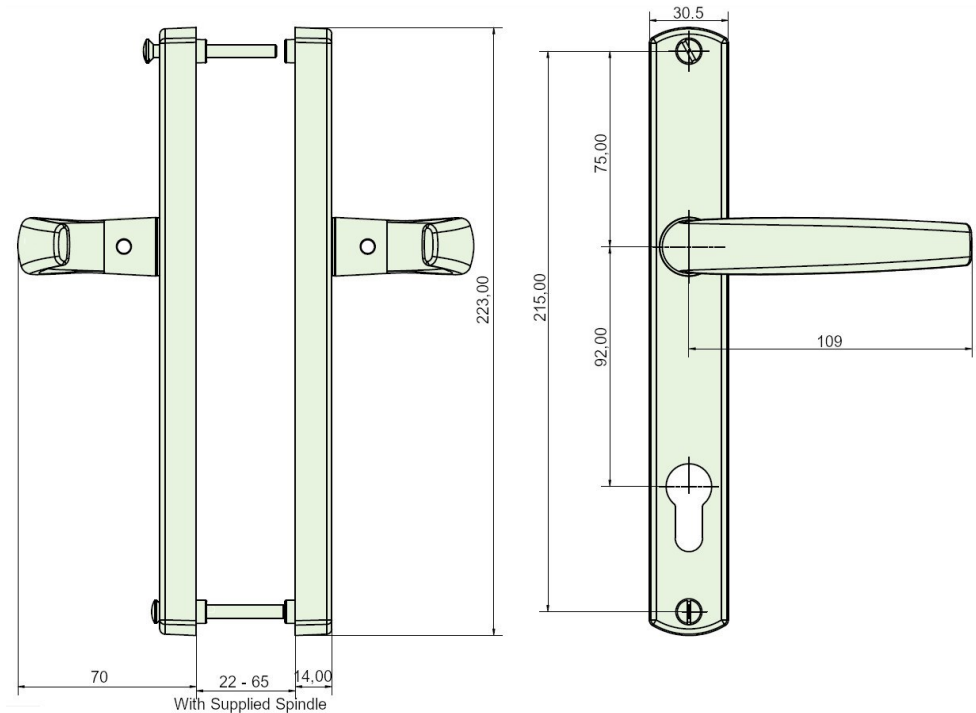
B860LONG Lever Door Handle



B860LONGCY

PRODUCT FEATURES & TECHNICAL INFORMATION

- An elegant 'Lever-Lever' door handle with 92mm centre.
- The long handle is available in 3 different lever styles (850, 860 and 870).
- 4 independent springs ensures correct horizontal position of lever and a 8mm spindle secured with a grub screw clamps both handles together securely.
- Available with blank or cylinder combination of face plate.
- Taylors Spindle available to fix the handle in a horizontal or vertical position.
- Bolt through fixings for security.
- Complimentary window furniture available for suited look.
- Available in several finishes or matching RAL finishes on request



Dimensions



STEEL WINDOW FITTINGS

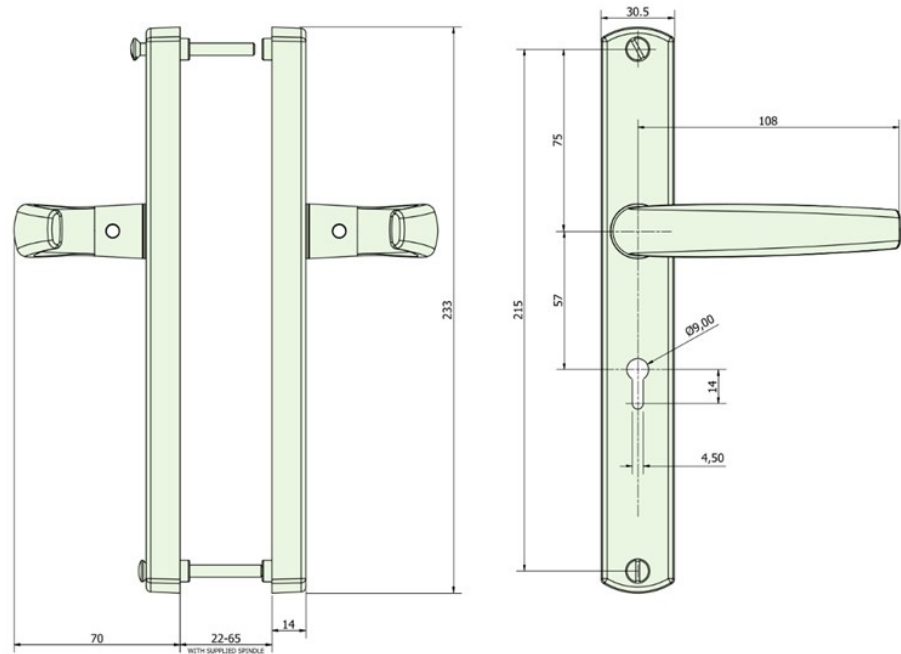
B860LONG Lever Door Handle



B860LONGML

PRODUCT FEATURES & TECHNICAL INFORMATION

- An elegant 'Lever-Lever' door handle with 57mm centre.
- The long handle is available in 3 different lever styles (850, 860 and 870).
- 4 independent springs ensures correct horizontal position of lever and a 8mm spindle secured with a grub screw clamps both handles together firmly.
- Complete with a mortice keyhole configuration
- Taylors Spindle available to fix the handle in a horizontal or vertical position.
- Bolt through fixings for security.
- Complimentary window furniture available for suited look.
- Available in several finishes or matching RAL finishes on request



Dimensions

The logo consists of the lowercase letters 'swf' in a bold, sans-serif font, enclosed within a light green square border that is slightly offset from the corners.

swf

STEEL WINDOW FITTINGS

The image displays three different door handle designs against a white background. On the left is a dark wood handle with a black lever. In the center is a brass handle with a round escutcheon. On the right is a silver handle with a keyhole. A blue text box is overlaid on the bottom left of the image.

870 Door Handles

A versatile design favoured on properties styled in both modern and historic architecture.

The 870 lever has a slender, minimal appearance that complements rose, oblong or long backplates.

Find Matching Escutcheons on page 34.

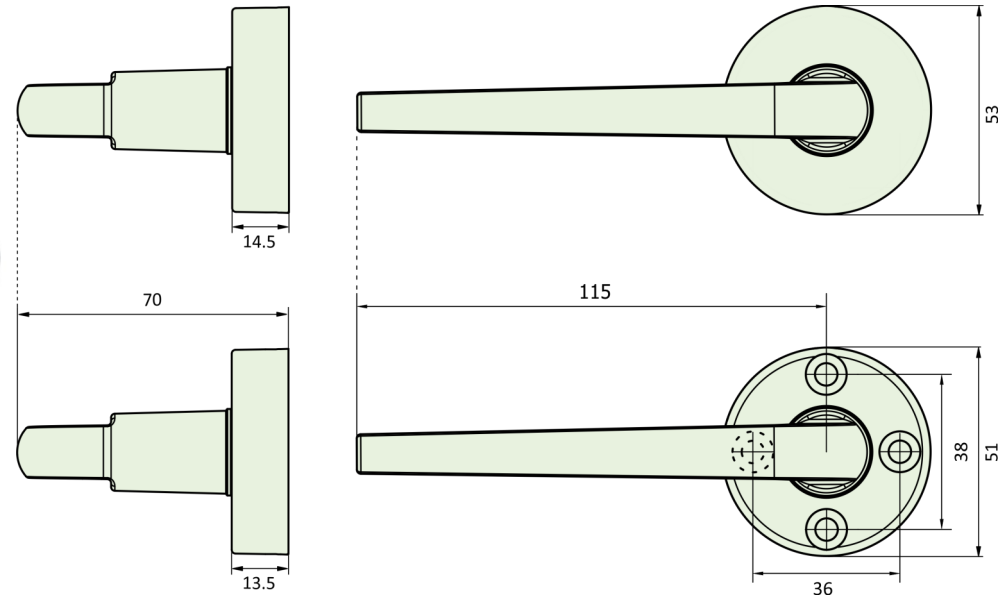




PRODUCT FEATURES & TECHNICAL INFORMATION

- An elegant 'Lever-Lever' door handle with finish matching backplate covers that conceal the fixing screws and backplate.
- 4 independent springs ensures correct horizontal position of lever and a 8mm spindle secured with a grub screw clamps both handles together securely.
- B851ROSE Euro Cylinder or B852ROSE Key escutcheons available enabling a wide range of applications to include multipoint, traditional external locks & internal latches.
- Also available on a Oblong plate as B870.
- Available in several finishes or matching RAL finish on request. M5 fixing holes.
- Taylors Spindle available to fix the handle in a horizontal or vertical position.
- Complimentary window furniture available for suited look.

B870ROSE Lever Door Handle



B870ROSE

Dimensions



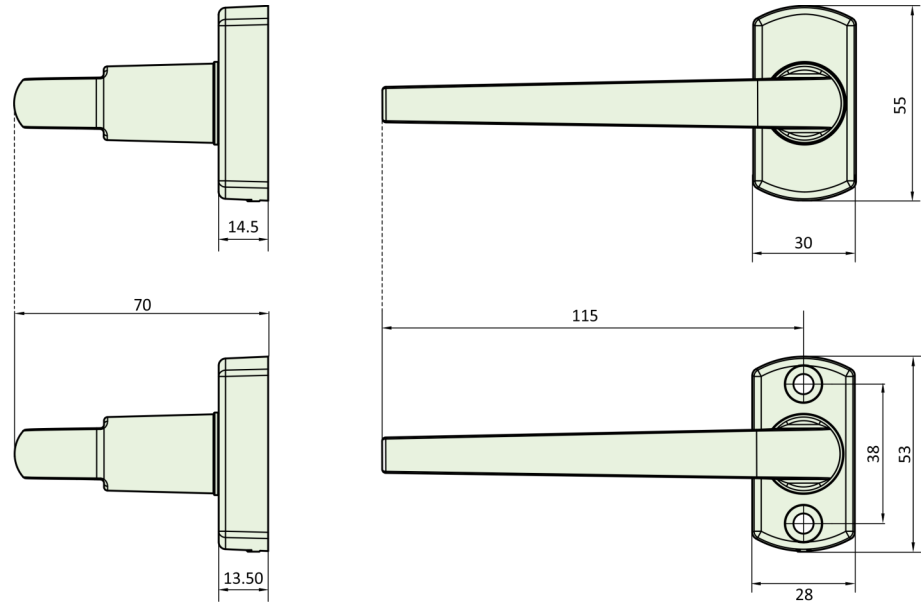
PRODUCT FEATURES & TECHNICAL INFORMATION

- An elegant 'Lever-Lever' door handle with finish matching backplate covers that conceal the fixing screws and backplate.
- 4 independent springs ensures correct horizontal position of lever and a 8mm spindle secured with a grub screw clamps both handles together securely.
- B851 Euro Cylinder or B852 Key escutcheons available enabling a wide range of applications to include multipoint, traditional external locks & internal latches.
- Also available on a round plate as B870ROSE.
- Available in several finishes or matching RAL finish on request. M5 fixing holes.
- Taylors Spindle available to fix the handle in a horizontal or vertical position.
- Complimentary window furniture available for suited look.

B870 Lever Door Handle



B870 Oblong



Dimensions



STEEL WINDOW FITTINGS

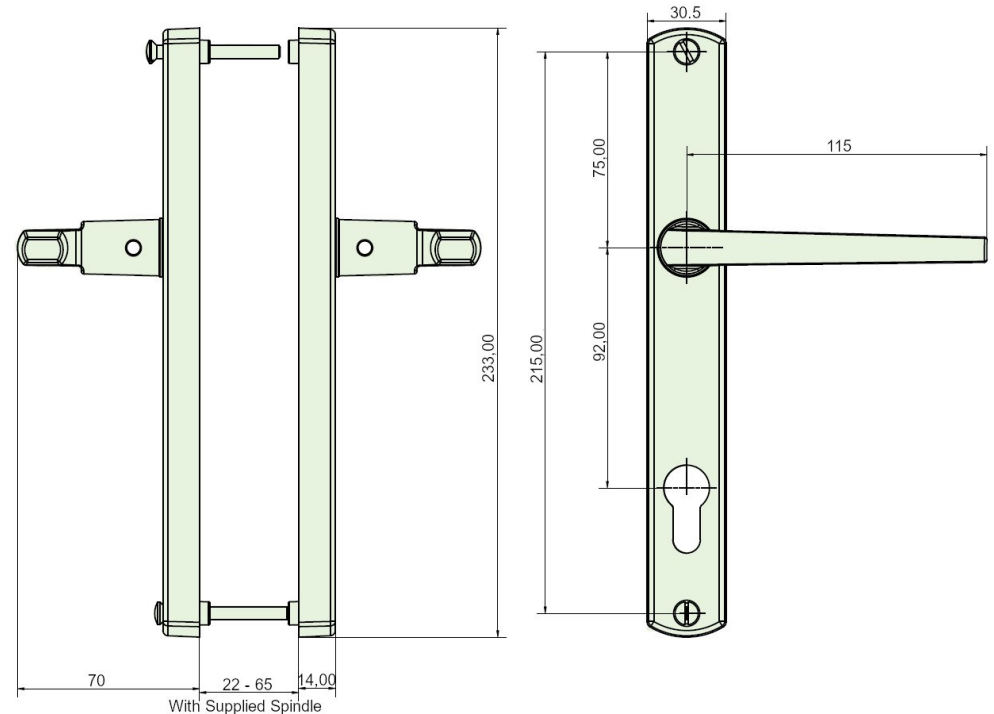
PRODUCT FEATURES & TECHNICAL INFORMATION

- An elegant 'Lever-Lever' door handle with 92mm centre.
- The long handle is available in 3 different lever styles (850, 860 and 870).
- 4 independent springs ensures correct horizontal position of lever and a 8mm spindle secured with a grub screw clamps both handles together securely.
- Available with blank or cylinder combination of face plate.
- Taylors Spindle available to fix the handle in a horizontal or vertical position.
- Bolt through fixings for security.
- Complimentary window furniture available for suited look.
- Available in several finishes or matching RAL finishes on request

B870LONG Lever Door Handle



B870LONGBL



Dimensions



STEEL WINDOW FITTINGS

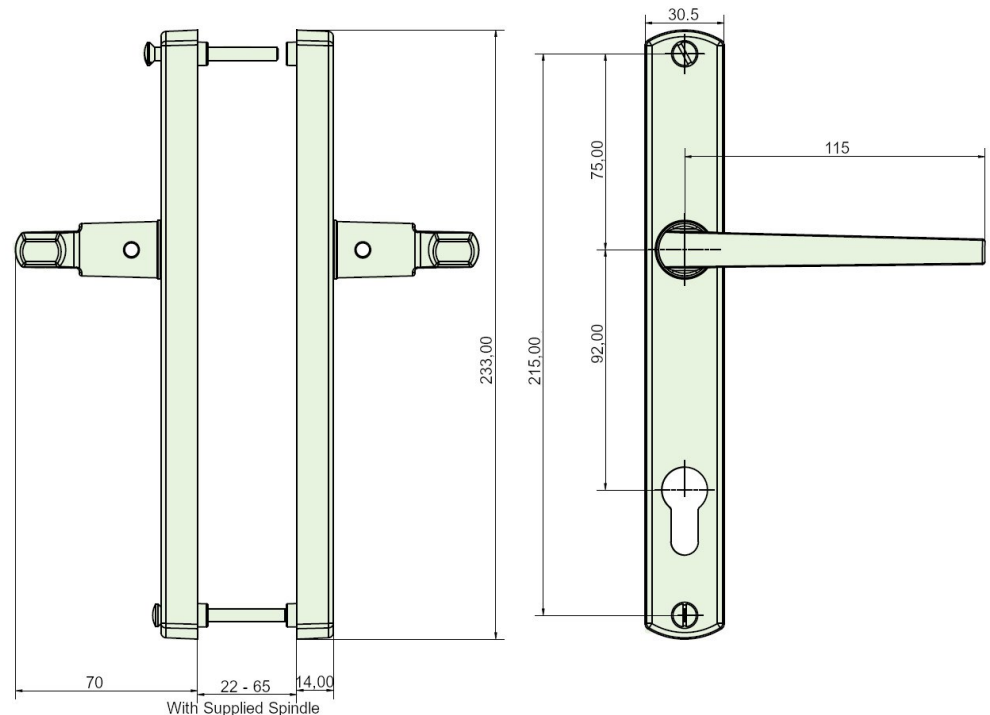
B870LONG Lever Door Handle



B870LONGCYBL

PRODUCT FEATURES & TECHNICAL INFORMATION

- An elegant 'Lever-Lever' door handle with 92mm centre.
- The long handle is available in 3 different lever styles (850, 860 and 870).
- 4 independent springs ensures correct horizontal position of lever and a 8mm spindle secured with a grub screw clamps both handles together securely.
- Available with blank or cylinder combination of face plate.
- Taylors Spindle available to fix the handle in a horizontal or vertical position.
- Bolt through fixings for security.
- Complimentary window furniture available for suited look.
- Available in several finishes or matching RAL finishes on request



Dimensions



STEEL WINDOW FITTINGS

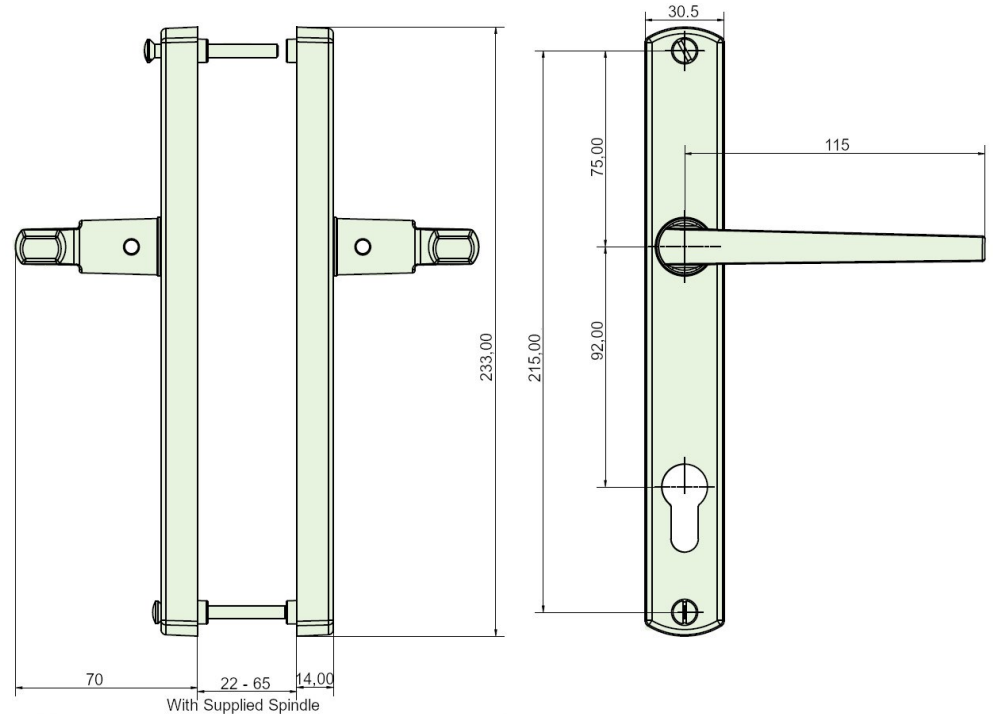
B870LONG Lever Door Handle



B870LONGCY

PRODUCT FEATURES & TECHNICAL INFORMATION

- An elegant 'Lever-Lever' door handle with 92mm centre.
- The long handle is available in 3 different lever styles (850, 860 and 870).
- 4 independent springs ensures correct horizontal position of lever and a 8mm spindle secured with a grub screw clamps both handles together securely.
- Available with blank or cylinder combination of face plate.
- Taylors Spindle available to fix the handle in a horizontal or vertical position.
- Bolt through fixings for security.
- Complimentary window furniture available for suited look.
- Available in several finishes or matching RAL finishes on request



Dimensions

The logo for 'swf' is displayed in a stylized, lowercase font within a light green square frame.

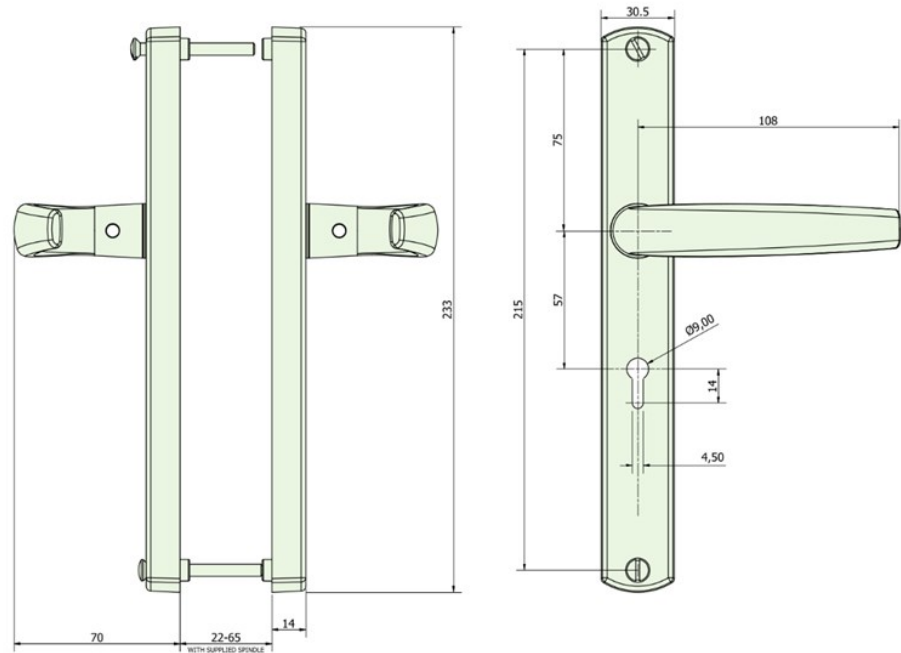
STEEL WINDOW FITTINGS



B870LONGML

PRODUCT FEATURES & TECHNICAL INFORMATION

- An elegant 'Lever-Lever' door handle with 57mm centre.
- The long handle is available in 3 different lever styles (850, 860 and 870).
- 4 independent springs ensures correct horizontal position of lever and a 8mm spindle secured with a grub screw clamps both handles together firmly.
- Complete with a mortice keyhole configuration
- Taylors Spindle available to fix the handle in a horizontal or vertical position.
- Bolt through fixings for security.
- Complimentary window furniture available for suited look.
- Available in several finishes or matching RAL finishes on request



Dimensions

The logo consists of the lowercase letters 'swf' in a bold, sans-serif font, enclosed within a light green square border that is slightly offset from the corners.

swf

STEEL WINDOW FITTINGS

The image displays three different door handle models against a white background. On the left is a black handle with a curved grip and a long, narrow backplate. In the center is a chrome handle with a similar curved grip and a shorter, wider backplate. On the right is a dark bronze handle with a curved grip and a long, narrow backplate that features a keyhole cutout near the bottom.

1040 Door Handles

A truly classic design that enhances heritage properties. The 1040 handle is available in Satin Chrome, Antique Brass, Antique Black, Gun Metal, RTD and ORB.

Choose from Rose, Oblong or Long backplates to suit your property's style.

Find Matching Escutcheons on page 34.

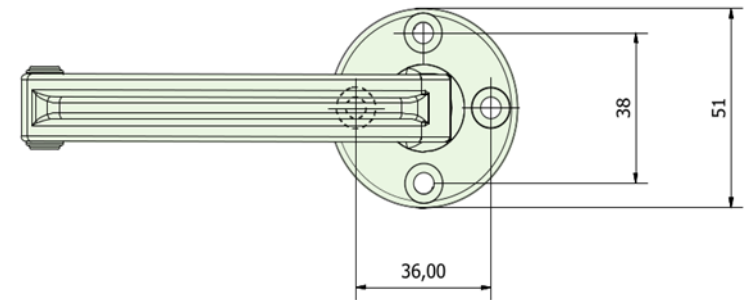
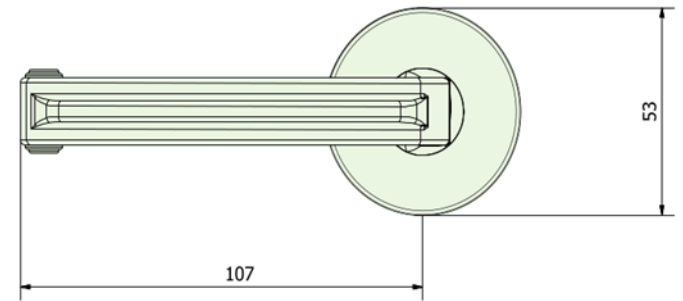
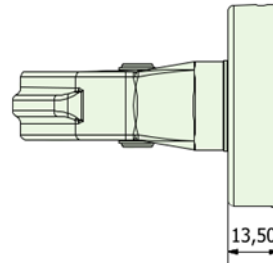
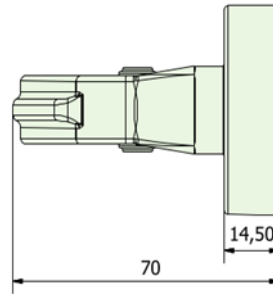




PRODUCT FEATURES & TECHNICAL INFORMATION

- An elegant 'Lever-Lever' door handle with finish matching backplate covers that conceal the fixing screws and backplate.
- 4 independent springs ensures correct horizontal position of lever and a 8mm spindle secured with a grub screw clamps both handles together securely.
- B851ROSE Euro Cylinder or B852ROSE Key escutcheons available enabling a wide range of applications to include multipoint, traditional external locks & internal latches.
- Also available on a Oblong plate as B1040.
- Available in several finishes or matching RAL finish on request. M5 fixing holes.
- Taylors Spindle available to fix the handle in a horizontal or vertical position.
- Complimentary window furniture available for suited look.

B1040ROSE Lever Door Handle



B1040ROSE

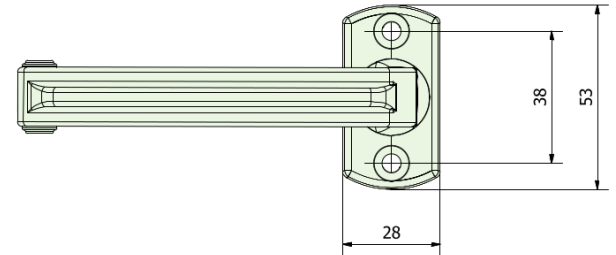
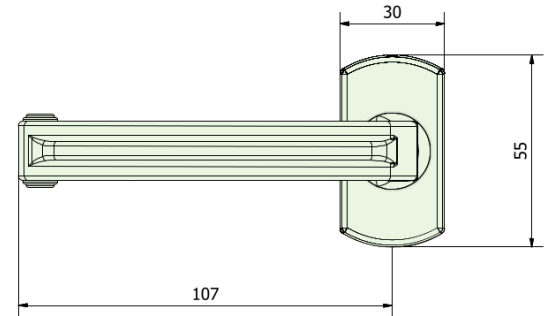
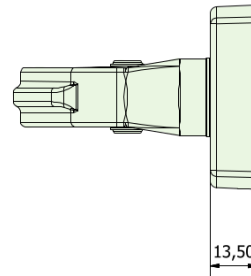
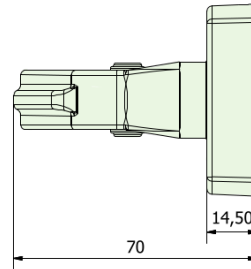
Dimensions



PRODUCT FEATURES & TECHNICAL INFORMATION

- An elegant 'Lever-Lever' door handle with finish matching backplate covers that conceal the fixing screws and backplate.
- 4 independent springs ensures correct horizontal position of lever and a 8mm spindle secured with a grub screw clamps both handles together securely.
- B851 Euro Cylinder or B852 Key escutcheons available enabling a wide range of applications to include multipoint, traditional external locks & internal latches.
- Also available on a round plate as B1040ROSE.
- Available in several finishes or matching RAL finish on request. M5 fixing holes.
- Taylors Spindle available to fix the handle in a horizontal or vertical position.
- Complimentary window furniture available for suited look.

B1040 Lever Door Handle



B1040 Oblong

Dimensions



STEEL WINDOW FITTINGS

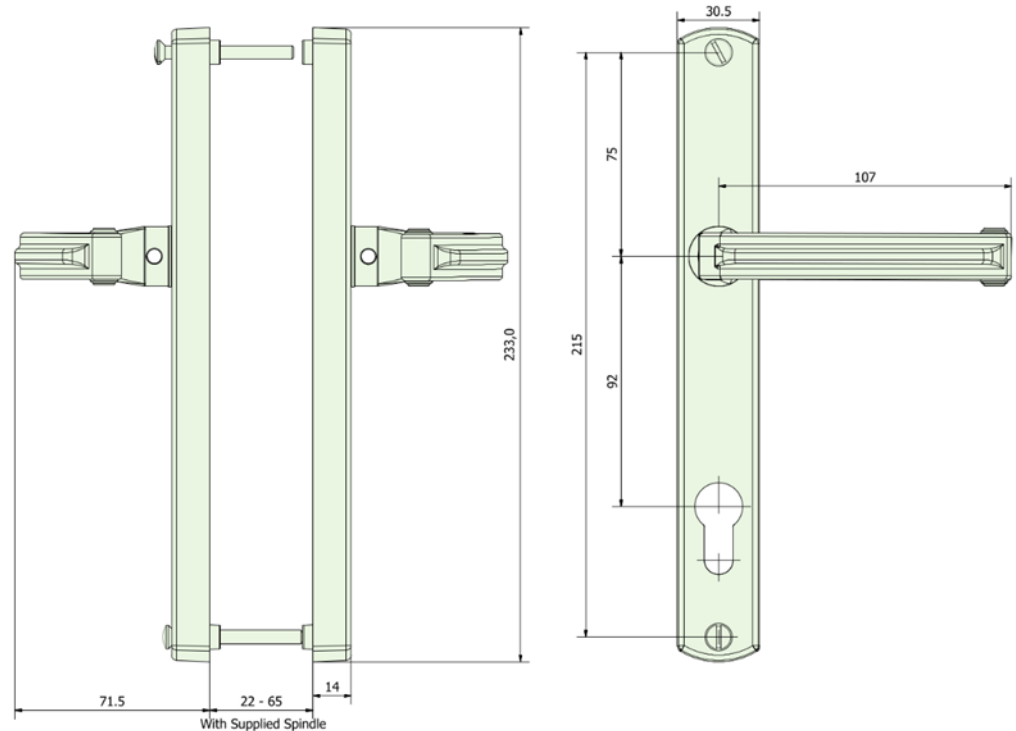
B1040LONG Lever Door Handle



1040LONGCY

PRODUCT FEATURES & TECHNICAL INFORMATION

- An elegant 'Lever-Lever' door handle with 92mm centre.
- The long handle is available in 4 different lever styles (1040,850, 860 and 870).
- 4 independent springs ensures correct horizontal position of lever and a 8mm spindle secured with a grub screw clamps both handles together firmly.
- Available with blank, cylinder or mortice combination of face plate.
- Taylors Spindle available to fix the handle in a horizontal or vertical position.
- Bolt through fixings for security.
- Complimentary window furniture available for suited look.
- Available in several finishes or matching RAL finishes on request



The logo consists of the lowercase letters 'swf' in a bold, sans-serif font, enclosed within a light green square frame that is slightly tilted.

STEEL WINDOW FITTINGS

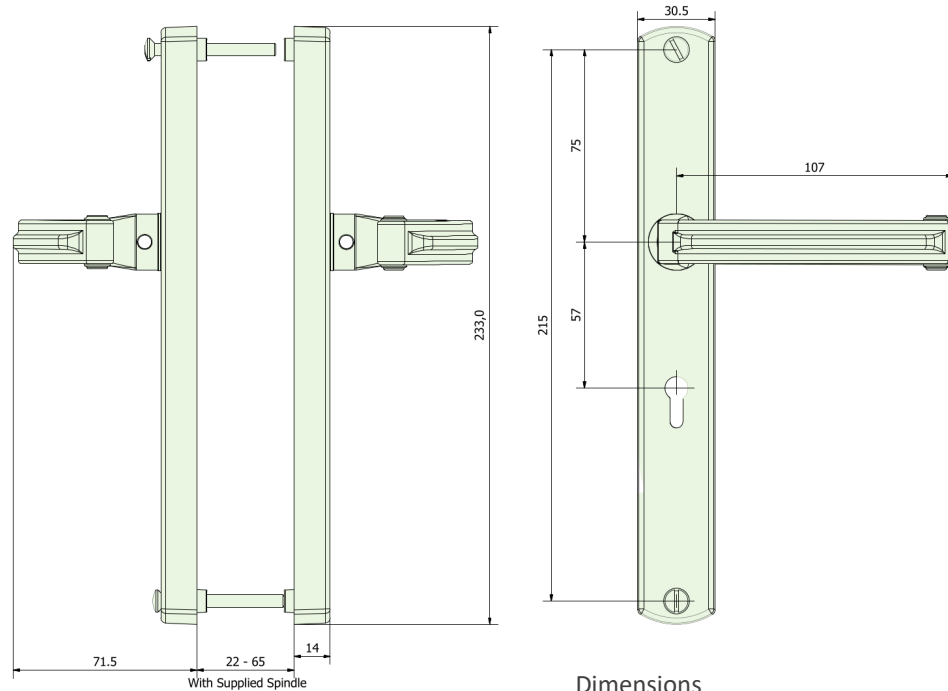
PRODUCT FEATURES & TECHNICAL INFORMATION

- An elegant 'Lever-Lever' door handle with 57mm centre.
- The long handle is available in 4 different lever styles (1040, 850, 860 and 870).
- 4 independent springs ensures correct horizontal position of lever and a 8mm spindle secured with a grub screw clamps both handles together firmly.
- Complete with a mortice keyhole configuration
- Taylors Spindle available to fix the handle in a horizontal or vertical position.
- Bolt through fixings for security.
- Complimentary window furniture available for suited look.
- Available in several finishes or matching RAL finishes on request

B1040LONGML Lever Door Handle



1040LONGML





Escutcheons & Dummy Spindles

Steel Window Fittings has a range of escutcheons to match each style and finish of Rose and Oblong handle.

For the same classic look for “dummy doors” (non-moving lever) use our Taylors (also known as a dummy) spindles. These integrate with all door handles and backplates.





PRODUCT FEATURES & TECHNICAL INFORMATION

- Suites with our B850ROSE, B860ROSE and B870ROSE Door Handles.
- B851ROSE for use with a euro cylinder lock.
- B852ROSE for use with a key operated lock.
- Additional cover supplied with both escutcheons, enables you to either have screws visible for traditional appearance or concealed for contemporary look
- Suitable for M4 countersunk fixing screws.
- Available in several finishes or matching RAL finish on request.
- Complimentary window furniture available for suited look.

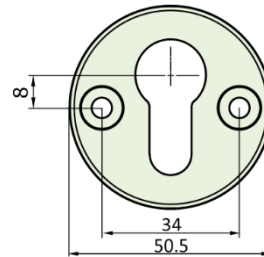
B851ROSE Escutcheon



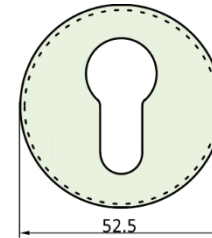
B851ROSE Euro



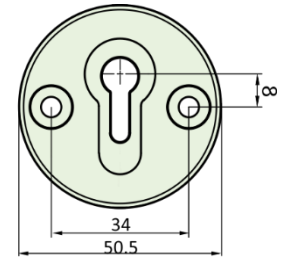
B852ROSE Key Hole



B851ROSE Dimensions



Cover Dimensions



B852ROSE Dimensions



PRODUCT FEATURES & TECHNICAL INFORMATION

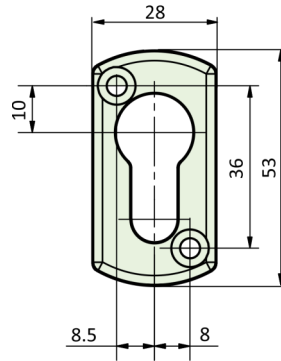
- Suites with our B850, B860 and B870 Door Handles.
- B851 for use with a euro cylinder lock.
- B852 for use with a key operated lock.
- Additional cover supplied with both escutcheons, enables you to either have screws visible for traditional appearance or concealed for contemporary look
- Suitable for M4 countersunk fixing screws.
- Available in several finishes or matching RAL finish on request.
- Complimentary window furniture available for suited look.

B851OBLONG Escutcheon

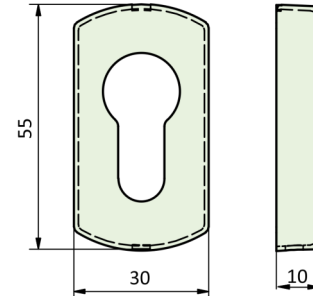


B851 Euro

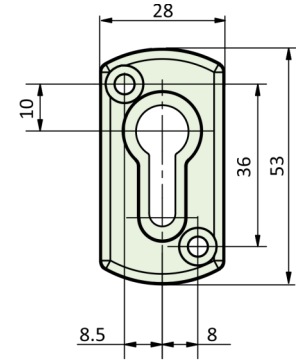
B852 Key Hole



B851 Dimensions



Cover Dimensions



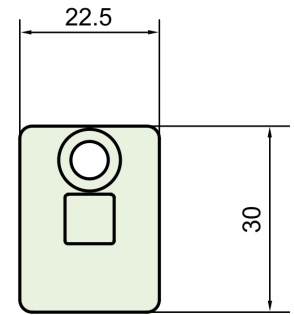
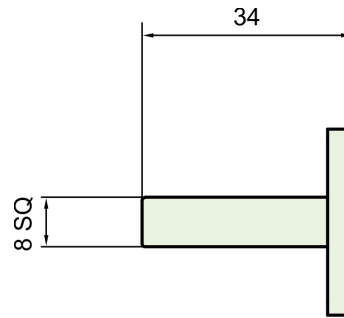
B852 Dimensions



B850DHFSYP Taylors Spindle

PRODUCT FEATURES & TECHNICAL INFORMATION

- Taylors Spindle for use with B850, B860 and B870 series of Door Handles.
- Used to fix the handle so it cannot operate in an up or down lever-lever motion and becomes fixed.
- Handle can be fixed in a horizontal or vertical position.
- Used on doors that do not require a lock or latch mechanism.
- Easy fitting.



B850DHFSYP

Dimensions

swf

STEEL WINDOW FITTINGS





Steel Window Fittings

Steel Window Fittings LTD,
Unit 5, Bridge Business Park,
Horsehay, Shropshire, TF4 3EE

Info@steelwindowfittings.com

+44 (0) 1952 794054

+44 (0) 1952 794154

steelwindowfittings.com

This Catalogue supersedes all previous issues and can be subject to change without any prior notification. With our continuous product development we reserve the right to make modifications to our products which may include but not limited to specification, dimension and configuration changes without prior notice. This Catalogue is designed to provide you with useful information and pictures as guidance to help you choose the right products for your application. Whilst every care is taken to ensure accuracy of information contained at time of publication please note error & omissions expected (E&OE)

Co. Reg No: 7614370 England

VAT Reg No: GB 114 4647 30